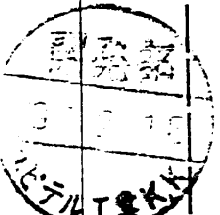
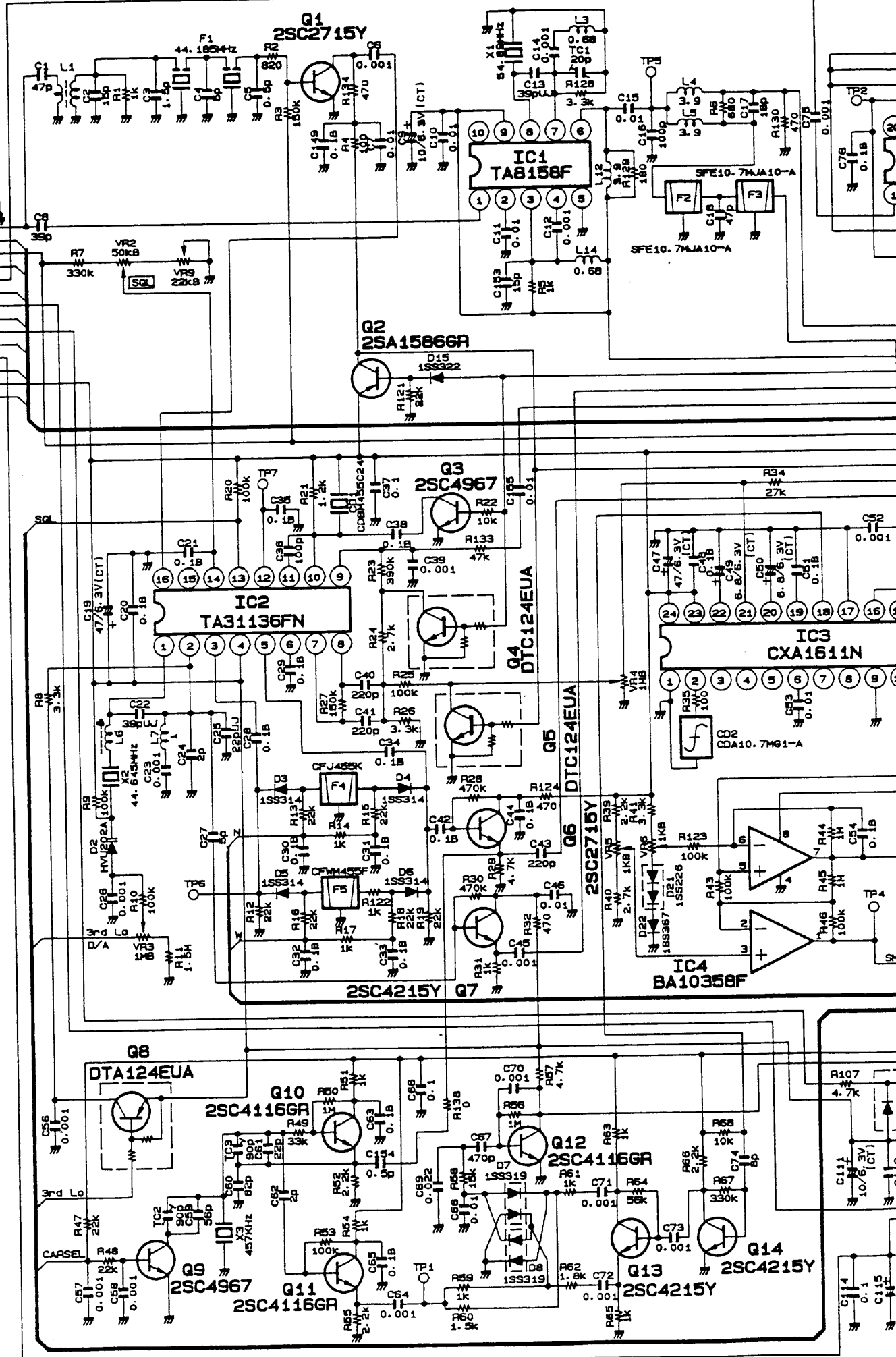
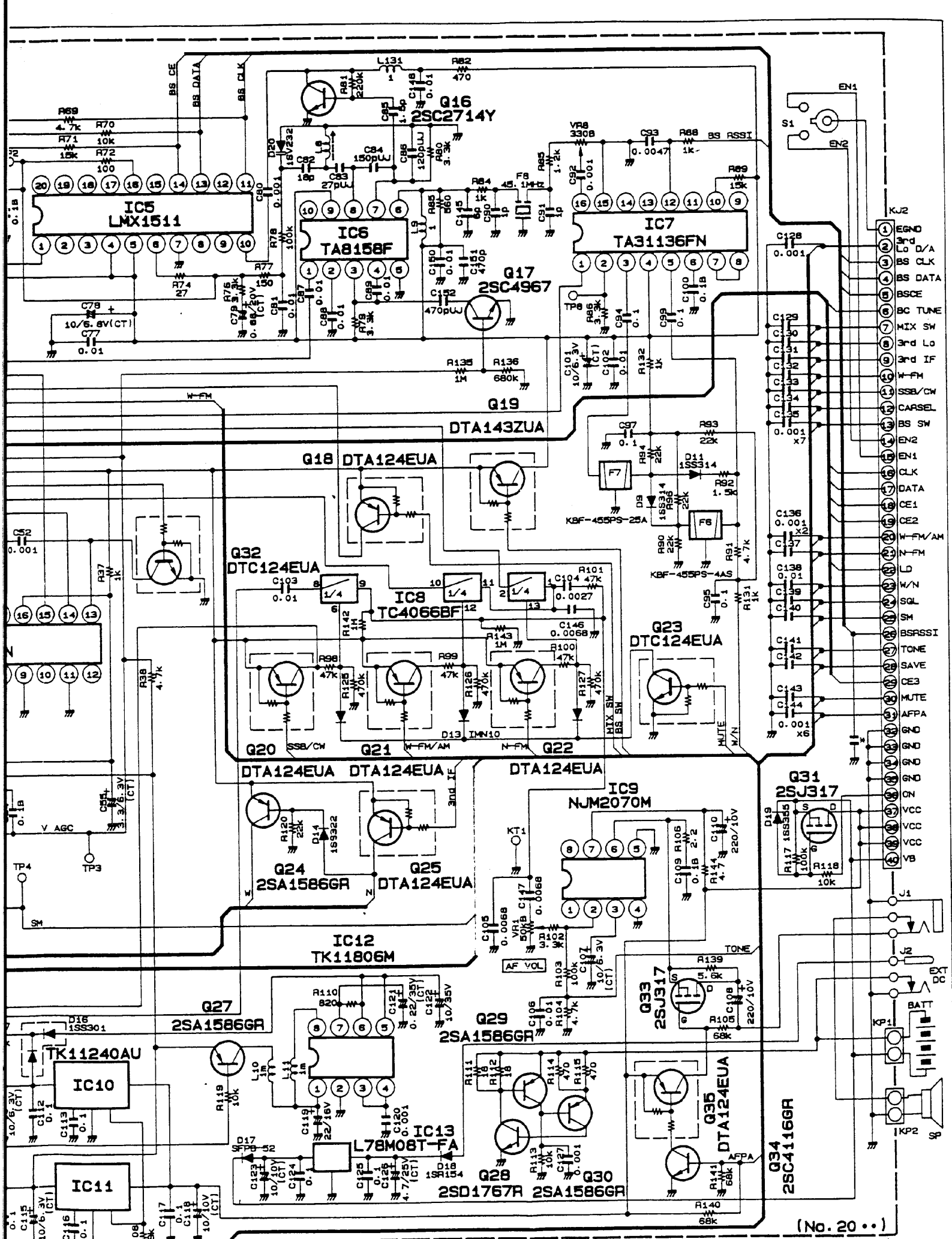


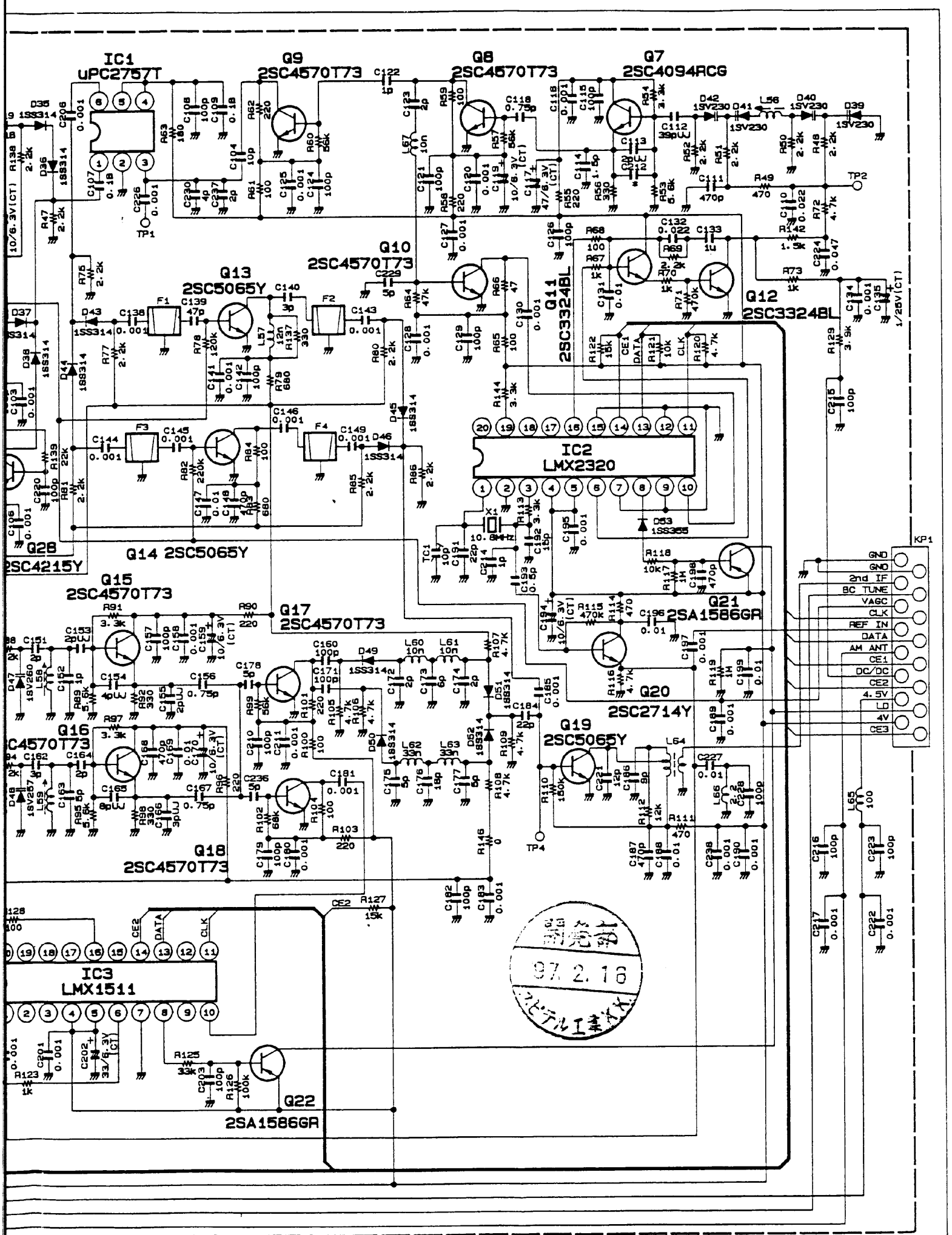
- BC
- TUNE
- V AGC
- CLK
- REF IN
- DATA
- AM ANT
- CE1
- DC/DC
- CE2
- 4.5V
- LD1
- 4V
- Q3





(No. 20..)

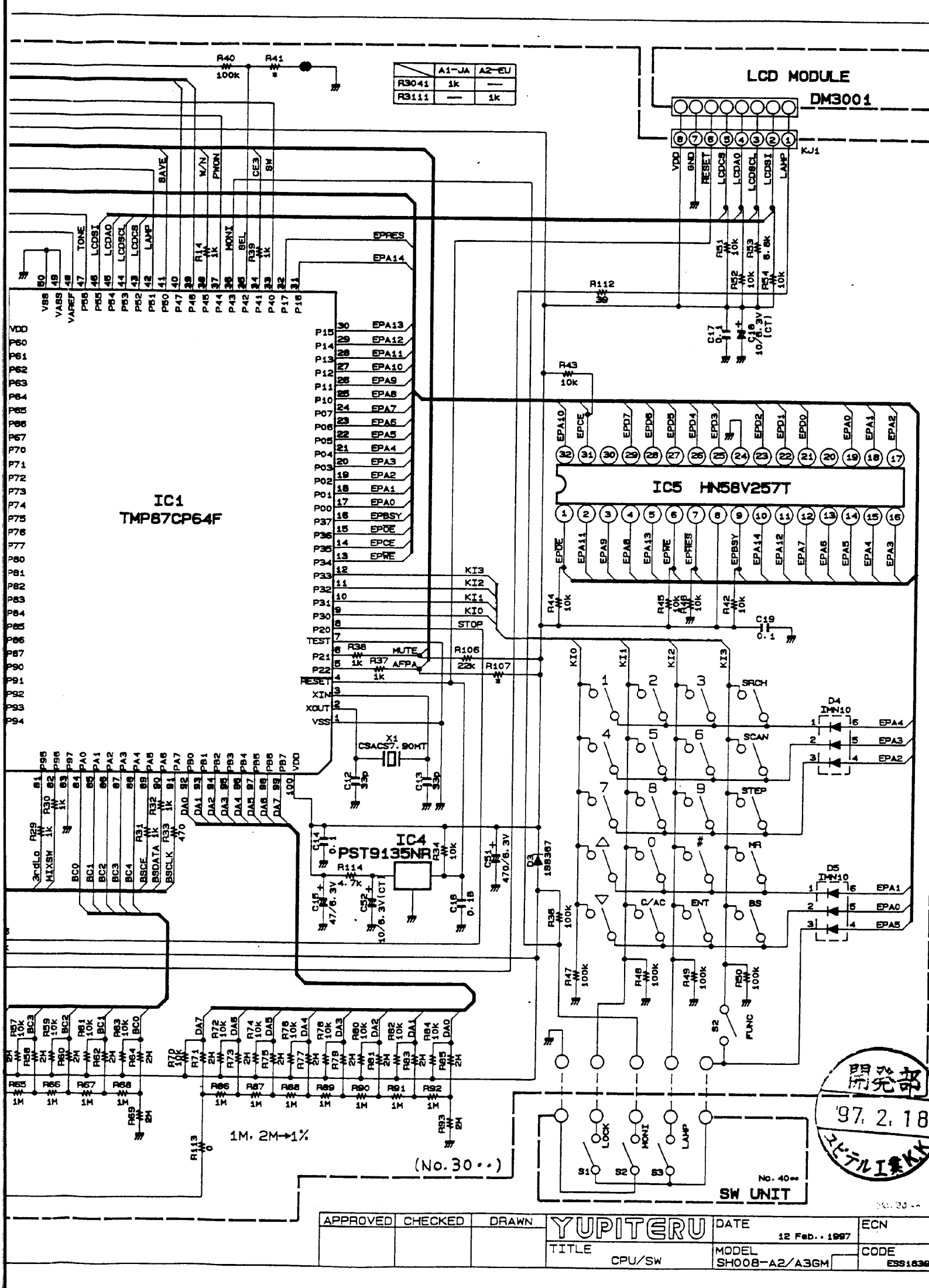




(No. 10..)

APPROVED	CHECKED	DRAWN	YUPITERU	DATE	12 Feb.. 1997	ECN
			TITLE	MODEL	SH008-A2/A3GM	CODE
			RF			ESS1940





	A1-JA	A2-EU
R3041	1k	—
R3111	—	1k

IC1  
TMP87CP64F

IC5 HN58V257T

IC4  
PST9135NR

LCD MODULE  
DM3001

SW UNIT

APPROVED	CHECKED	DRAWN	YUPITERU	DATE	12 Feb. 1997	ECN
				TITLE	MODEL	SH008-A2/A3GM
			CPU/SW			ESS1636

開発部  
97.2.18  
ユピテル工業株式会社

(No.30..)

No. 40..